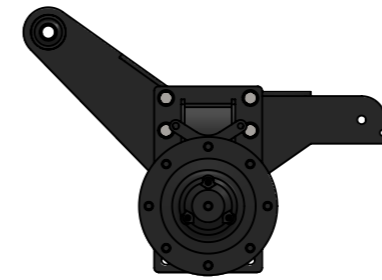



255  
730 HIGH CLEARANCE



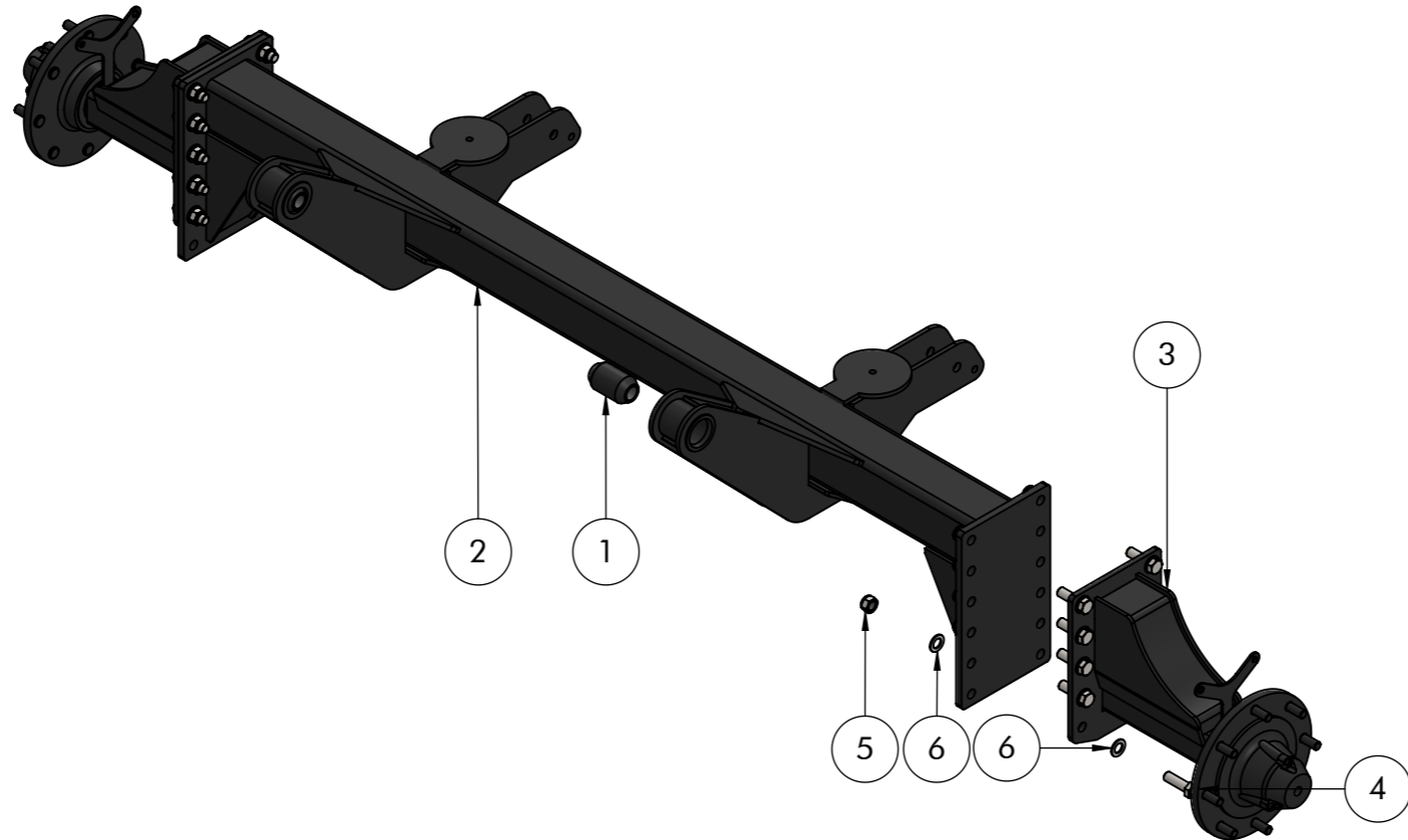
UNLESS OTHERWISE SPECIFIED: DIMENSIONS ARE IN MILLIMETERS SURFACE FINISH: $\pm 0.2$ TOLERANCES: LINEAR: $\pm 0.5$ ANGULAR: $\pm 0.5$				FINISH:  PAINTED BLACK		DEBUR AND BREAK SHARP EDGES 		DO NOT SCALE DRAWING		REVISION		A	
DRAWN				NAME		SIGNATURE		DATE		TITLE:			
CHK'D				RPJ				8/07/2025		CROPLANDS A NUFARM LIMITED COMPANY			
APP'VD								25/02/2026		3000LT ROBOT READY PINTO			
MFG										AXLE RR PINTO STANDARD CLEARANCE 3M V2			
Q.A				APPROVED						DWG NO.		A3	
COPYRIGHT PROPRIETOR										BP-650-GR-12-0A			
THIS DRAWING IS THE PROPERTY OF CROPLANDS EQUIPMENT PTY. LTD. AND MUST BE TREATED AS CONFIDENTIAL. REPRODUCTION OF THIS DRAWING (OR PART THEREOF) OR COMMUNICATION OF ITS CONTENTS IS PROHIBITED WITHOUT THE CONSENT OF CROPLANDS EQUIPMENT PTY. LTD.				MATERIAL:		N/A		WEIGHT (Kg): 41.28		SCALE: 1:17.5		SHEET 1 OF 3	

1 2 3 4 5 6 7 8

ITEM NO.	PART NUMBER	DESCRIPTION	QTY.	LENGTH
1	BP-809-4	FLEXIBLE BUSH AIR RIDE	2	
2	BP-650-GR-12-2	AXLE RR PINTO 3000 GOOSENECK AXLE	1	
3	BP-650-GR-12-2-02	AXLE RR PINTO STUB AXLE STANDARD	2	
4	M20X65	M20 X 65 SET SCREW HT ZP	20	
5	M20NNUT	M20 NYLOC NUT HT ZP	20	
6	M20FWASHER	M20 FLAT WASHER ZP	40	

A  
B  
C  
D  
E  
F

A  
B  
C  
D  
E  
F



BP-545B - AXLE STUB 80MM 8/275PCD

**BP-650-GR-12-0A PARTS ILLUSTRATION**  
 THIS DRAWING IS FOR ILLUSTRATION PURPOSE ONLY  
 PLEASE REFER TO THE PARTS LIST.

UNLESS OTHERWISE SPECIFIED: DIMENSIONS ARE IN MILLIMETERS SURFACE FINISH: $\pm 0.2$ TOLERANCES: LINEAR: $\pm 0.5$ ANGULAR: $\pm 0.5$		FINISH:  PAINTED BLACK	DEBUR AND BREAK SHARP EDGES 	DO NOT SCALE DRAWING	REVISION	A
DRAWN RPJ			TITLE: <b>3000LT ROBOT READY PINTO</b>			
CHK'D			AXLE RR PINTO STANDARD CLEARANCE 3M V2 PARTS ILLUSTRATION			
APPV'D			DWG NO. <b>BP-650-GR-12-0A</b>			
MFG			A3			
Q.A. <b>APPROVED</b>			MATERIAL: N/A		WEIGHT (Kg): 41.28	
COPYRIGHT PROPRIETOR THIS DRAWING IS THE PROPERTY OF CROPLANDS EQUIPMENT PTY. LTD. AND MUST BE TREATED AS CONFIDENTIAL. REPRODUCTION OF THIS DRAWING (OR PART THEREOF) OR COMMUNICATION OF ITS CONTENTS IS PROHIBITED WITHOUT THE CONSENT OF CROPLANDS EQUIPMENT PTY. LTD.			SCALE: 1:15		SHEET 2 OF 3	

1 2 3 4